

MANISCOPIC

MT 732



- Lift Capacity: 7,000 lb.
- Maximum Lift Height: 22 ft. 8 in.
- Maximum Forward Reach: 13 ft. 9 in.
- Torque Converter
- Four Wheel Drive
- Three Steering Modes
- Patented LPS Joystick Control

 **MANITOU**®

MT 732



Lift Capacity:

Maximum (24 in. load center)7,000 lb.
Break out force on bucket teeth
with tilting ram (ISO 8313)16,000 lbf.



Lift Height:

Maximum lift height.....22 ft. 8 in.
Maximum forward reach.....13 ft. 9 in.
Times: unladen / loaded (in sec)



Lifting6.7/7.3
Lowering.....5.0/4.7
Boom extension.....6.3/6.8
Boom retraction.....3.3/3.0



Tires:

.....13.00 x 24



Brakes:

...Multidisc - hydraulically assisted on four wheels



Engine:

Perkins1104.44
Power84 HP
Displacement4 cyl. 258 cu. in.
Max. Torque (@1400 rpm)213
InjectionDirect
CoolingWater



Transmission:

TypeTorque Convertor
Electro-hydraulic reversing shift
Speeds forward/reverse4/4
Maximum travel speed17 mph



Hydraulics:

PumpGear type
Flow3400 PSI - 28 gpm
Flow divider with priority to steering and braking



Capacities:

Cooling system6.5 gal.
Engine oil2.8 gal.
Hydraulic oil.....33 gal.
Transmission oil4 gal.
Fuel tank32 gal.

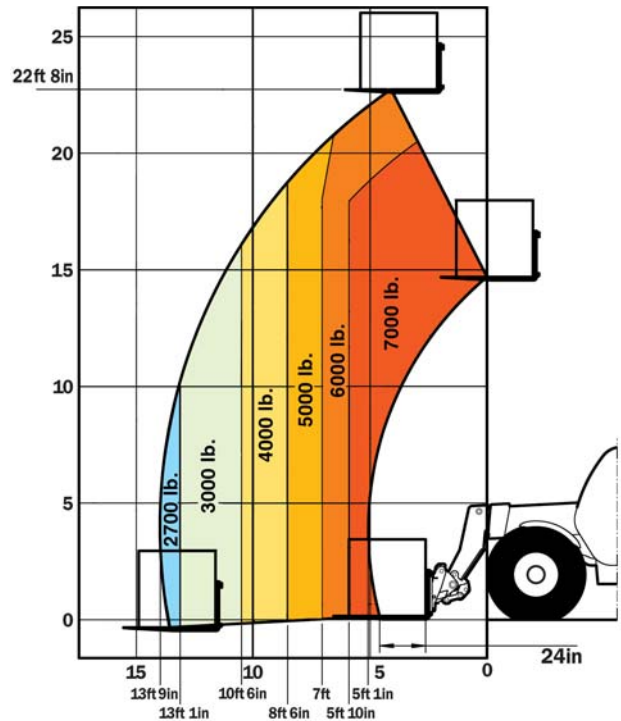


Specifications:

Weight (base unit)15,300 lb.
Turning radius (outside wheels).....12 ft. 1 in.
Overall height.....7 ft. 8 in.
Overall width.....7 ft. 6 in.
Overall length (without forks)15 ft. 5 in.
Ground clearance18 in.
Maximum drawbar pull.....15,000 lbf.

LOAD CAPACITY CHART

CALCULATED WITH OPTIONAL 48" CARRIAGE AND FORKS
(OPTIONAL ATTACHMENTS CAN DERATE THIS CHART)



Capacities shown in pounds/feet are the maximum recommended load limits at the indicated extensions of the boom. Capacity ratings are based on a 48" homogeneous cube and are in accordance with ANSI/ASME B56.6 stability standards. Capacity reductions must be made for extended load centers and when used with various other attachments, contact MANITOU NORTH AMERICA, INC.

DIMENSIONS:

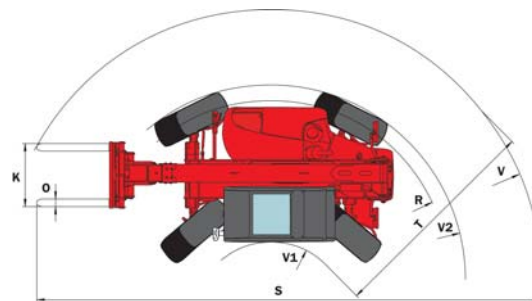
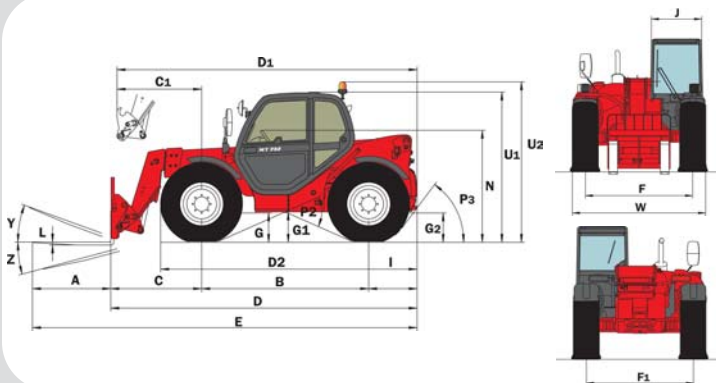
A48	L2
B101	N67
C55	O4
C ₁51	P ₂47.5°
D185	P ₃53°
D ₁182	R137
D ₂156	S299
E235	T165
F74	U ₁92
F ₁74	V190
G19	V ₁48
G ₁18	V ₂145
G ₂18	W90
I30	X12°
J34	Y12°
K48	Z114°

STANDARD EQUIPMENT:

- Full Time Power Steering
- Three Steering Modes with Axle Alignment Indicator
- Full Time 4 Wheel Drive
- Limited Slip Front Axle
- Adjustable Seat with Seat Belt
- Air Cleaner Service Indicator
- Hydraulic Oil Filter Restriction Gauge
- LPS Joysticks
- Backup Alarm
- Inboard Wet Disc Brakes
- Neutral Start Switch
- Quick Fit Tool System
- Auxiliary Hydraulic Circuit to Boom Tip
- Engine Hour Meter
- Horn
- Tow Pin

OPTIONAL EQUIPMENT:

- A wide variety of attachments and options are available to meet the customer's individual applications



Dealer:



MANITOU NORTH AMERICA, INC. - P.O. Box 21386 - Waco, TX 76702-1386
Tel: 800-433-3304 - Fax: 254-799-4433 - www.manitou-na.com